



**ENDLESS FLOW,  
EFFORTLESS COOL.**

**SINOX POWER PVT. LTD.**

Survey No. 212, Plot No. 5A, Near Vikas  
Rolling Shutter, Veraval (Shapar)  
Rajkot-360024, Gujarat, INDIA.

SALES :  +91 80098 00647

SERVICE :  +91 80000 61200

 [info@sinoxpower.com](mailto:info@sinoxpower.com)

[www.sinoxpower.com](http://www.sinoxpower.com)



SP-HVLS Series are available in five sizes ranging from 12ft- 24ft equipped with PMSM motor. It is a perfect solution to ventilation & cooling in large places, such as factory workshop, warehouse, church, commercial buildings, supermarkets, library, lobbies, barn, etc. It brings gentle breeze at low rotational speed.



### LARGE COVERAGE

The largest area it can cover is 1,500m<sup>2</sup>.  
The highest air volume can be up to 14,900m<sup>3</sup>/min.



### ENERGY SAVING

Compared to traditional multiple wall mounted fans and air conditioners, HVLS fans can reduce by 30%-50% energy bills.



### HUMAN-BODY COOLING

HVLS fan will make people feel 5-8 Celsius temperature reduction.



### GENTLE BREEZE

Unlike traditional high speed fan, HVLS fan creates gentle breeze which makes people feel comfortable.



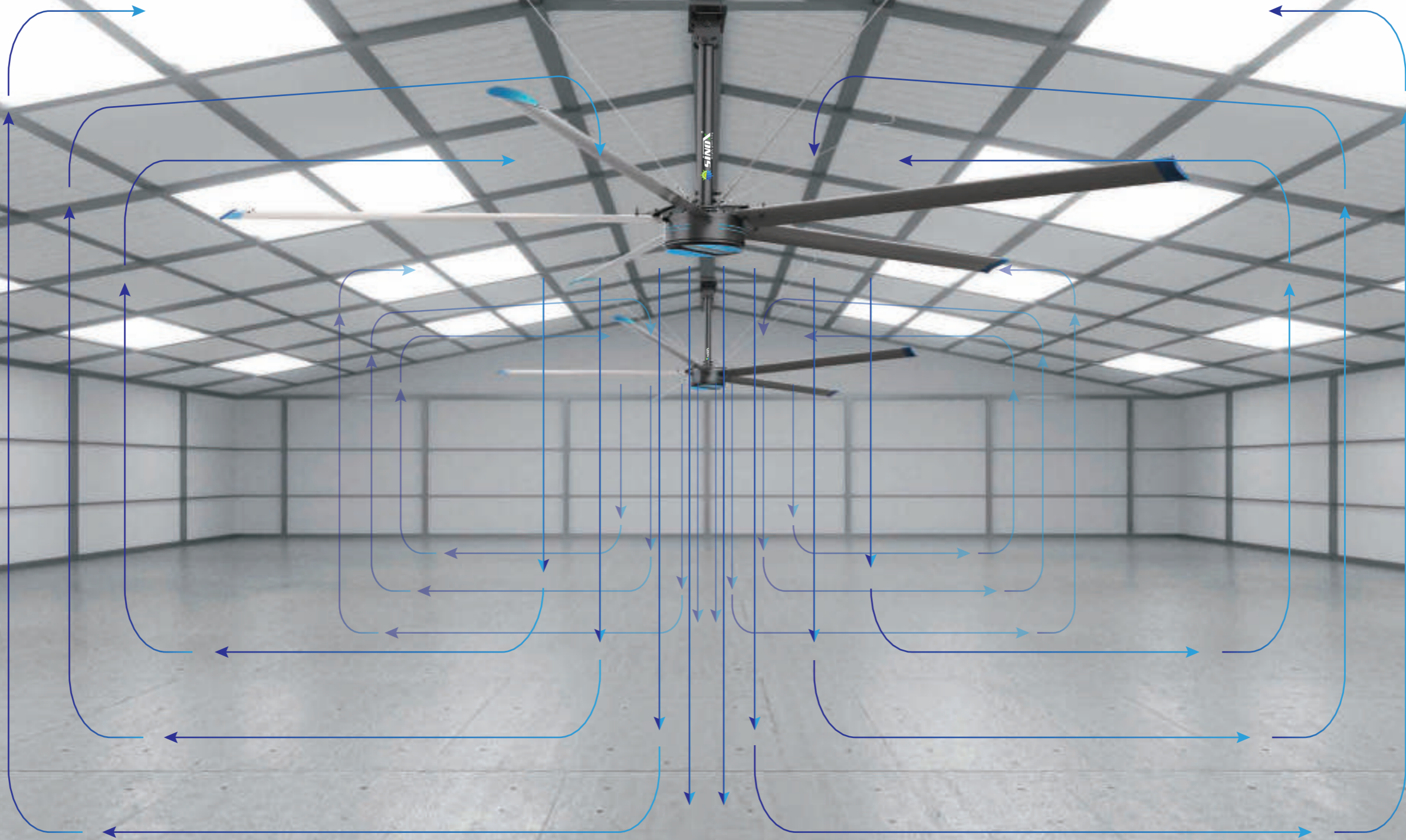
### EASY INSTALLATION

It's not necessary to damage your beam structure. The minimum vertical height of installation space can be 0.86M.

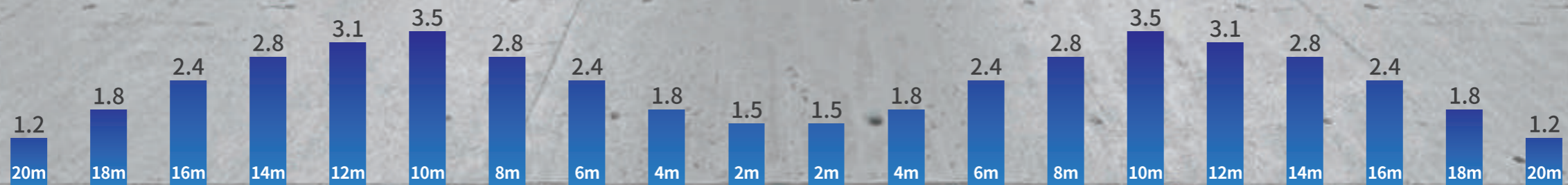


### QUICK RESPONSE

We will give you response within 24 hours.



# AIR FLOW HVLS FANS



Air velocity (m/\_s)  
(All data comes from theory)

# SAFETY FACILITIES HVLS FANS

## STEEL GUY WIRE

Connect fan body with building beam through steel guy wire (6mm galvanized steel) in four directions so as to add the additional safety protection for smooth running. Each one can bear 1 ton.



## SAFETY ROPE

Connect top plate with building beam through steel guy wire (6mm galvanized steel).



## BLADE RETAINER

Connect adjacent blades, preventing single blade falling down.



## FASTENERS

Connect PMSM motor stator shaft, shaft cover and extension rod through high quality fasteners (Grade 12.9).



# MAIN COMPONENTS HVLS FANS



## AIRFOIL BLADE

Our airfoil blade is made of aviation grade aluminum alloy (AA6063 T6) which benefits that it has excellent flexibility property. It has anti-corrosion and easy to clean advantages due to the advanced surface treatment technology.

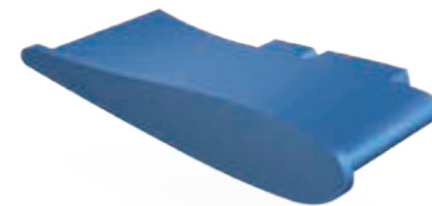


## PMSM MOTOR

It's shorten for permanent magnet synchronous motor. The rotational speed of the rotor is always consistent with the current frequency of the stator winding. PMSM is now widely accepted by end-users due to high performance, such as long service life, free maintenance, low noise, small size and light weight. It passes CE certificate.

## SEALED INVERTER

It has more than 25 functions, such as ground fault protection, overload protection and over temperature protection. Protection level is IP54, passing CE, UL, EMC, LVD, ROHS certificates.



## WINGLET

It's specially designed to keep the fan runs steadily. You may know that eddies will be formed caused by airflow.



MODEL	SP-HVLS24	SP-HVLS20	SP-HVLS18	SP-HVLS16	SP-HVLS12	SP-HVLS10	SP-HVLS08
Fan Diameter	24 ft (7.3m)	20 ft (6.1m)	18 ft (5.5m)	16 ft (4.9m)	12 ft (3.7m)	10 ft (3.05m)	08 ft (2.4m)
Blade Style	Airfoil blade with winglet						
Blade Material	AA6063T6 Magnalium (Aluminium Alloy), Anodizing surface treatment or Carbon Fluorine						
Number of blades	5						

### PERFORMANCE

Air Volume(m3/min)	14900	13100	12500	11700	8000	6500	6000
Rotational Speed (RPM)	10-50	10-50	10-50	10-80	10-80	95	110
Rated Power	1.5kW	1.5kW	1.1kW	1.1kW	0.4kW	0.4kW	0.4kW
Rated Current(Max)	4.5A	3.0A	2.5A	2.5A	2.0A	2.0A	2.0A
Power Supply	380V AC, 3P, 50/60HZ; 220V AC, IP/3P, 50/60HZ				220V AC,50/60HZ		

### WEIGHT

Net Weight (approximately)	135kg	120kg	105kg	80kg	45kg	43kg	41kg
Package	Wooden Cases						

### MOTOR

Motor Type	PMSM (Permanent Magnet Synchronous Motor)						
Drive Train	Direct Drive						
Maintenance	Maintenance Free						
Max. Torque	240N.m						
Efficiency	86%						
Max.Ambient Temperature for operation	60 Celsius						
Protection Level	IP55						
Noise Level	< 40dBA						

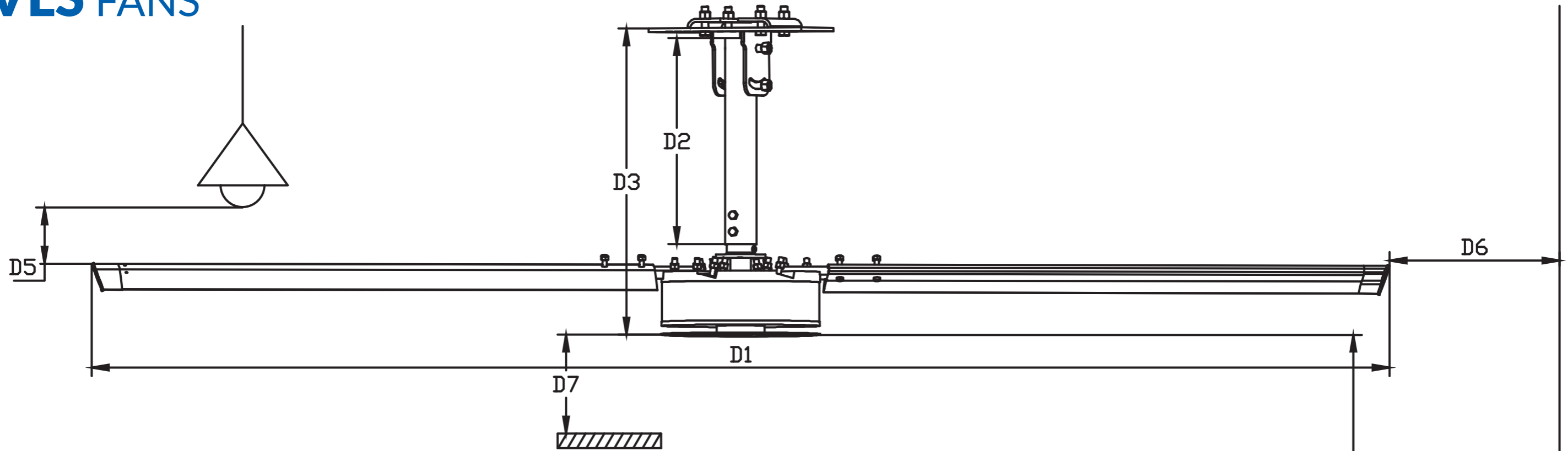
### MOTOR

Control	Sealed Inverter						
Max. Ambient Temperature for opeartion	55 Celsius						
Protection Level	IP54						

### MOTOR

Extension Rod	1M (as Standard), Accept OEM						
---------------	------------------------------	--	--	--	--	--	--

# INSTALLATION REQUIREMENTS HVLS FANS

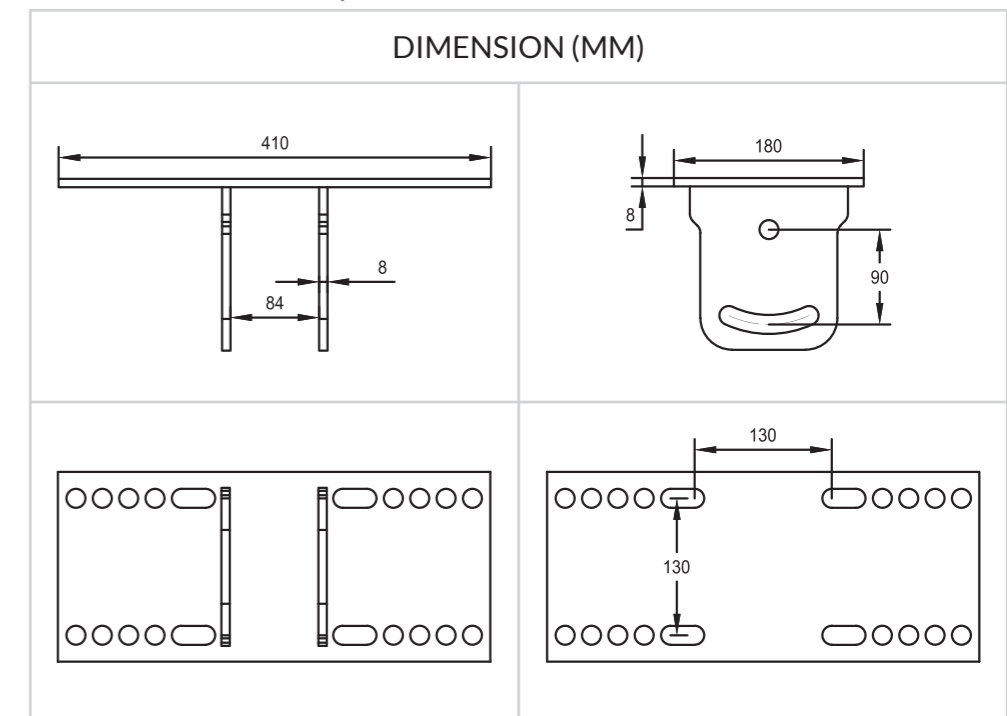
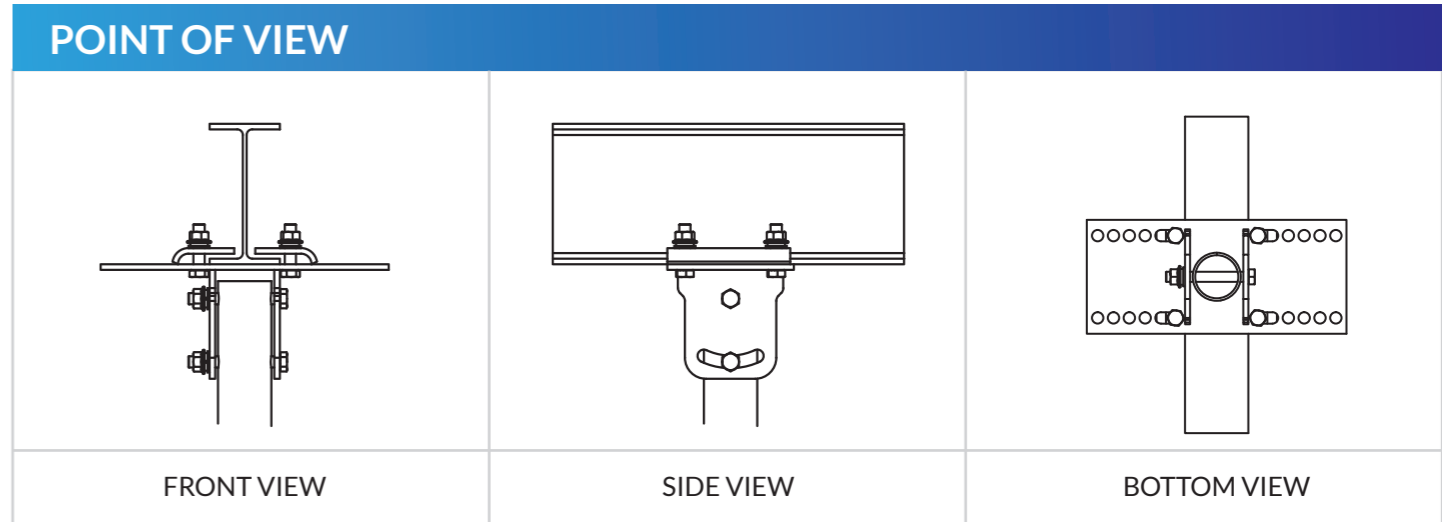
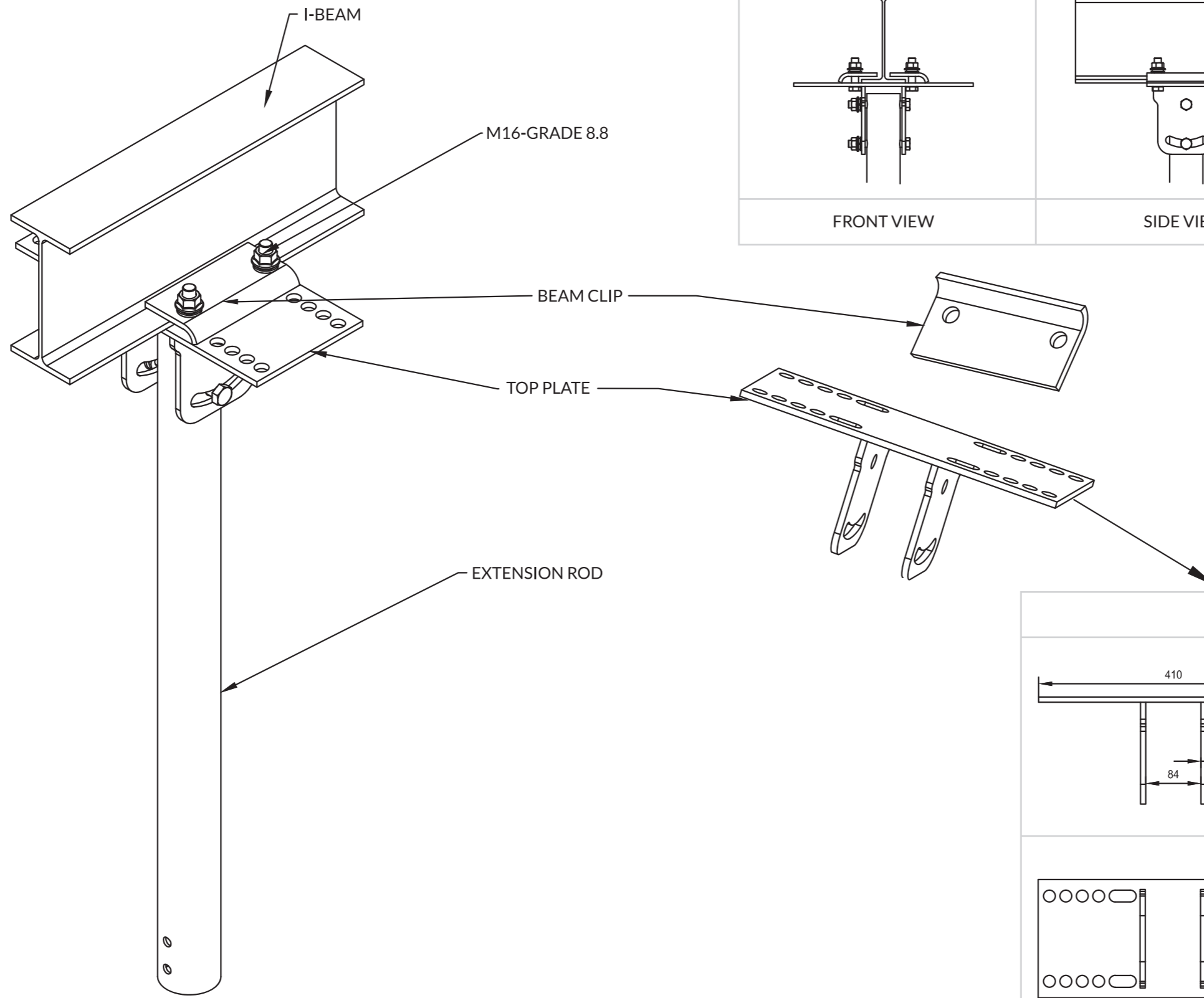


## REFER TO

MODEL	D1	D2	D3	D4	D5	D6	D7
SP-HVLS24	24' (7.3m)	0.3m-1.5m	>0.66m	5m-20m	>0.2m	>0.2m	>0.2m
SP-HVLS20	20' (6.1m)	Same	Same	5m-15m	Same	Same	Same
SP-HVLS18	18' (5.5m)	Same	Same	4m-12m	Same	Same	Same
SP-HVLS16	16' (4.9m)	Same	Same	4m-10m	Same	Same	Same
SP-HVLS12	12' (3.7m)	Same	Same	3m-6m	Same	Same	Same
SP-HVLS10	10' (3.05m)	Same	Same	3m-5m	Same	Same	Same
SP-HVLS08	08' (2.4m)	Same	Same	3m-5m	Same	Same	Same

D4

# HOW TO MOUNTING HLVS FANS





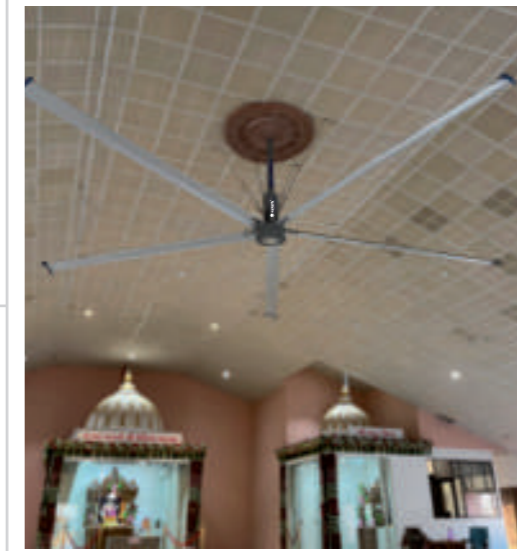
# WAREHOUSING LOGISTICS



# PROJECT REFERENCES HVLS FANS



# INDUSTRIAL WORKSHOP



# IN PUBLIC PLACES

